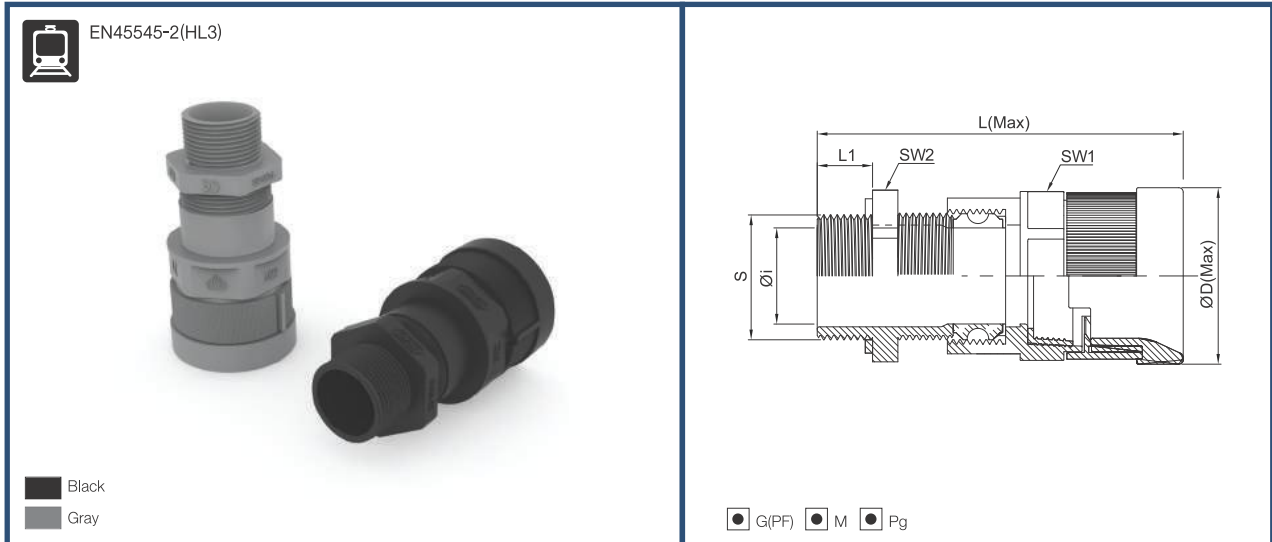
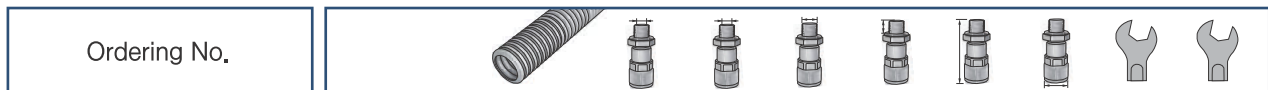


PNCC IP68



- Material : High Quality Polyamide 6
- Degrees of Protection : IP 68 (EN 60529)
- The max. Instantaneous Temperature : -40°C to +105°C
- Short Term : up to +150° C
- Self-Extinguishing : UL94-HB / Free of Halogen Phosphorous and cadmium
- Color : Black & Gray
- Application : Machine tool, Shipbuilding, Tramway, Industrial / Automatic Machinery, Printing Machine etc, Joint box with connector, Connector to avoid the cutoff of the cable in the machine.

>> Product size



PF Thread (JIS B0202)

Black	Gray	Thread	Tube Size	Øi(Min)	Øi(Max)	S	L1	L	ØD	SW1	SW2
PNCC-G10B	PNCC-G10G	G1/2"	10	3,5	6,5	20,9	15,0	74,2	25,0	19,7	20,3
PNCC-G12B	PNCC-G12G	G1/2"	12	4,0	8,0	20,9	15,0	73,1	27,6	22,8	22,7
PNCC-G16B	PNCC-G16G	G1/2"	16	7,0	12,3	20,9	15,0	77,3	33,0	28,0	27,7
PNCC-G1622B	PNCC-G1622G	G1/2"	22	12,0	15,2	20,9	15,0	90,3	43,0	37,5	36,9
PNCC-G22B	PNCC-G22G	G3/4"	22	12,0	18,0	26,4	15,0	90,3	43,0	37,5	36,9
PNCC-G228B	PNCC-G228G	G3/4"	28	18,0	20,3	26,4	15,0	97,2	48,8	43,0	43,0
PNCC-G28B	PNCC-G28G	G1"	28	18,0	26,0	33,2	15,0	97,2	48,8	43,0	43,0
PNCC-G36B	PNCC-G36G	G1 1/4"	36	22,0	33,0	41,9	19,0	120,2	60,6	52,2	52,2
PNCC-G48B	PNCC-G48G	G2"	48	30,0	38,0	59,6	19,0	130,0	71,8	64,0	64,1

(Dimensions in mm)



Ordering No.



Metric Thread (EN 60423)

(Dimensions in mm)

Black	Gray	Thread	Tube Size	Øi (Min)	Øi (Max)	S	L1	L	ØD	SW1	SW2
PNCC-M10B	PNCC-M10G	M12 X 1.5	10	3.5	6.5	12.0	15.0	74.2	25.0	19.7	20.3
PNCC-M120B	PNCC-M120G	M16 X 1.5	10	3.5	6.5	16.0	15.0	74.2	25.0	19.7	20.3
PNCC-M102B	PNCC-M102G	M12 X 1.5	12	4.0	7.1	12.0	15.0	73.1	27.6	22.8	22.7
PNCC-M12B	PNCC-M12G	M16 X 1.5	12	4.0	8.0	16.0	15.0	73.1	27.6	22.8	22.7
PNCC-M162B	PNCC-M162G	M20 X 1.5	12	4.0	8.0	20.0	15.0	73.1	27.6	22.8	22.7
PNCC-M126B	PNCC-M126G	M16 X 1.5	16	7.0	10.9	16.0	15.0	77.3	33.0	28.0	27.7
PNCC-M16B	PNCC-M16G	M20 X 1.5	16	7.0	12.3	20.0	15.0	77.3	33.0	28.0	27.7
PNCC-M1622B	PNCC-M1622G	M20 X 1.5	22	12.0	14.5	25.0	15.0	90.3	33.0	28.0	36.9
PNCC-M22B	PNCC-M22G	M25 X 1.5	22	12.0	18.0	25.0	15.0	90.3	43.0	37.5	36.9
PNCC-M228B	PNCC-M228G	M25 X 1.5	28	18.0	19.5	32.0	15.0	97.2	43.0	37.5	43.0
PNCC-M28B	PNCC-M28G	M32 X 1.5	28	18.0	26.0	30.0	15.0	97.2	48.8	43.0	43.0
PNCC-M36B	PNCC-M36G	M40 X 1.5	36	22.0	33.0	40.0	19.0	120.2	60.6	52.2	52.2
PNCC-M48B	PNCC-M48G	M50 X 1.5	48	30.0	38.0	50.0	19.0	130.0	71.8	64.0	64.1

Pg Thread (DIN 40430)

Black	Gray	Thread	Tube Size	Øi (Min)	Øi (Max)	S	L1	L	ØD	SW1	SW2
PNCC-P07B	PNCC-P07G	Pg07	10	3.5	6.5	12.5	15.0	74.2	25.0	19.7	20.3
PNCC-P09B	PNCC-P09G	Pg09	10	6.5	6.5	15.2	15.0	74.2	25.0	19.7	20.3
PNCC-P072B	PNCC-P072G	Pg07	12	4.0	8.0	12.5	15.0	73.1	27.6	22.8	22.7
PNCC-P092B	PNCC-P092G	Pg09	12	4.0	8.0	15.2	15.0	73.1	27.6	22.8	22.7
PNCC-P11B	PNCC-P11G	Pg11	12	4.0	8.0	18.6	15.0	73.1	27.6	22.8	22.7
PNCC-P132B	PNCC-P132G	Pg13.5	12	4.0	8.0	20.4	15.0	73.1	27.6	22.8	22.7
PNCC-P162B	PNCC-P162G	Pg16	12	4.0	8.0	22.5	15.0	73.1	27.6	22.8	22.7
PNCC-P096B	PNCC-P096G	Pg09	16	7.0	10.6	15.2	15.0	77.3	33.0	28.0	27.7
PNCC-P116B	PNCC-P116G	Pg11	16	7.0	12.3	18.6	15.0	77.3	33.0	28.0	27.7
PNCC-P13B	PNCC-P13G	Pg13.5	16	7.0	12.3	20.4	15.0	77.3	33.0	28.0	27.7
PNCC-P16B	PNCC-P16G	Pg16	16	7.0	12.3	22.5	15.0	77.3	33.0	28.0	27.7
PNCC-P122B	PNCC-P122G	Pg11	22	12.0	13.9	18.6	15.0	90.3	43.0	37.5	36.9
PNCC-P1322B	PNCC-P1322G	Pg13.5	22	12.0	14.8	20.4	15.0	90.3	43.0	37.5	36.9
PNCC-P1622B	PNCC-P1622G	Pg16	22	12.0	17.3	22.5	15.0	90.3	43.0	37.5	36.9
PNCC-P21B	PNCC-P21G	Pg21	22	12.0	18.0	28.3	15.0	90.3	43.0	37.5	36.9
PNCC-P218B	PNCC-P218G	Pg21	28	18.0	22.5	28.3	15.0	97.2	48.8	43.0	43.0
PNCC-P29B	PNCC-P29G	Pg29	28	18.0	26.0	37.0	15.0	97.2	48.8	43.0	43.0
PNCC-P36B	PNCC-P36G	Pg36	36	22.0	33.0	47.0	19.0	120.2	60.6	52.2	52.2
PNCC-P48B	PNCC-P48G	Pg48	48	30.0	38.0	59.3	19.0	130.0	71.8	64.0	64.1

